

Duravault TL15 Series

UL TL15 Composite Burglary Safe

The Duravault offers the ultimate TL15 security. With its 2 1/2" thick body and 5 1/2" thick door comprised of the latest generation of high strength alloy combined with our proprietary barrier material, the Duravault is a burglar's worst nightmare. In order to achieve the highest quality and level of security, the boltwork mechanism as well as its inner and outer plates are laser cut and formed for the highest degree of accuracy.

UL Listed TL15

Underwriters Laboratories certified burglary resistance and a one-hour manufacturer's fire rating for your peace of mind.

Locks

UL listed manipulation resistant high-security combination lock with spy-proof dial.

Boltwork

Massive full length stainless steel locking bar. Provides complete protection along the locking edge.

Glass Relockers

A sophisticated tempered glass relock trigger activates multiple independent locking systems to protect against severe burglary attacks.

Hinges

High quality lubricated bushings provide years of dependable service.



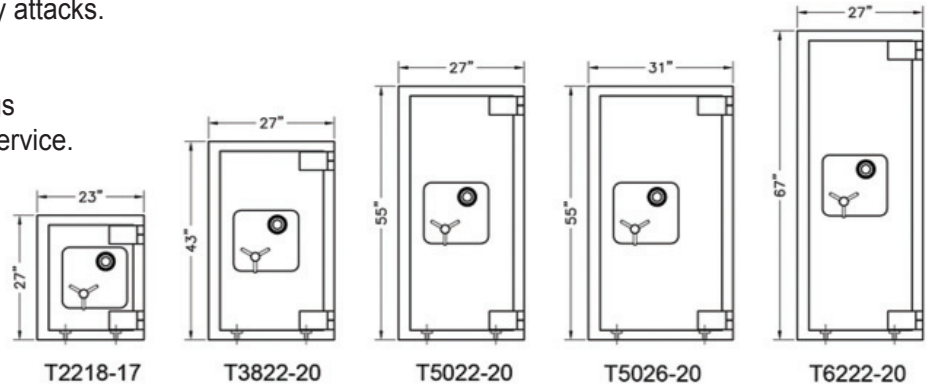
*Actual product may be different than shown

Adjustable Shelves

All models are supplied with adjustable shelves.

Options Available

UL listed electronic digital locks, Time locks, Inner compartments / lockers.



SPECIFICATIONS

Model	Interior Dimensions (in.)			Exterior Dimensions (in.)			Capacity Ft3	Weight lb.	Door Swing Dimensions (in)		
	Height	Width	Depth	Height	Width	Depth			Model	A	B
T2218-17	22	18	17	27	23	26	3.9	990	T2218-17	46 7/8	42 1/4
T3822-20	38	22	20	43	27	29	9.7	1,715	T3822-20	53 7/8	50 1/4
T5022-20	50	22	20	55	27	29	12.7	2,100	T5022-20	53 7/8	50 1/4
T5026-20	50	26	20	55	31	29	15.0	2,310	T5026-20	56 3/4	58 1/4
T6222-20	62	22	20	67	27	29	15.8	2,480	T6222-20	57 7/8	50 1/4

Add 2.0 in to depth for handle projection. All specifications are approximate and subject to change without notice.